

Inductive

Analog Output Inductive Sensors w/ Extended Range

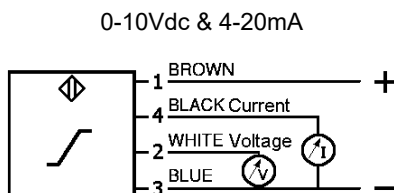
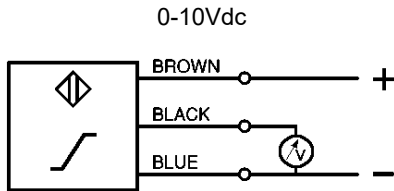
FEATURES:

- Extended operating distances
- 0-10V and 4-20mA based on distance to target
- Reverse polarity protection
- Protection degree IP67: dust tight and protection from the effects of immersion

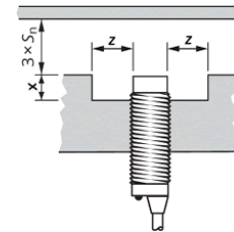
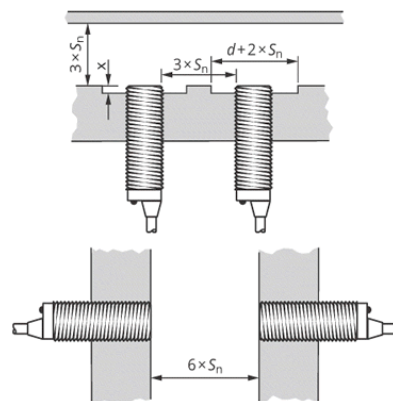
		MODEL				
Output Function	PNP Analog 0-10Vdc	S6120	S6126	S6130	S6134	S6142
	PNP Analog 0-10Vdc & 4-20mA					
Dimensions: mm 1" = 25.4 mm 1 mm = .03937" (not to scale)						
Operating Distance (Sn)		0 - 3 mm	0 - 6 mm	0 - 10 mm	0 - 10 mm	0 - 20 mm
External Diameter		M8 x 1	M12 x 1		M18 x 1	M30 x 1.5
Output		0-10 VDC				
Power Supply		15-30 Vdc				
Load Resistor*		V: ≥ 10k Ω, I: ≤500 Ω				
Power Drain		< 25 mA				
Operating Frequency		≤300 Hz				
Power Indicator		Yes, LED				
Case		Stainless Steel	Nickel-plated brass			
Flush Mounting		Semi-Flush		No	Semi-Flush	
Protection Degree		IP 67				
Operating Temperature		- 0 to +70 °C, +32 to +159 °F				
Output Connection		Cable PVC: L=2m				
Correction Factors		Alu 0.45 · Brs 0.50 · SS 0.85				
Mounting Clearance		x=1 mm	x=2 mm	X=14, Z=14 mm	x=4	x=6.5 mm

* V: for voltage output · I: for current output

WIRING:



MOUNTING CLEARANCE:



EXAMPLE OF OUTPUT: S6126

